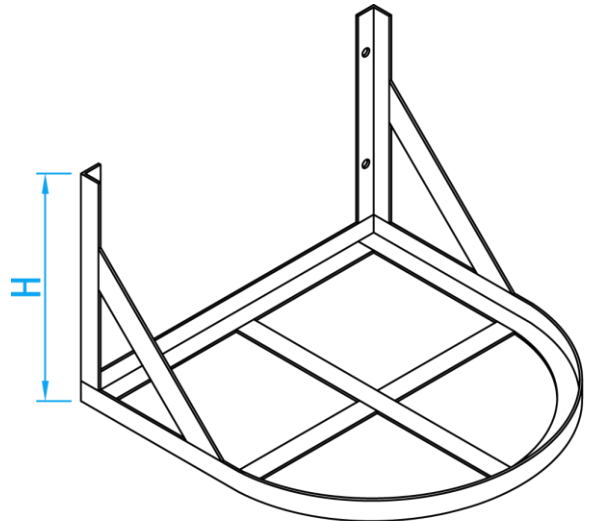
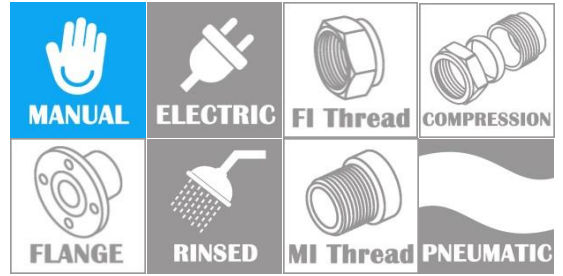
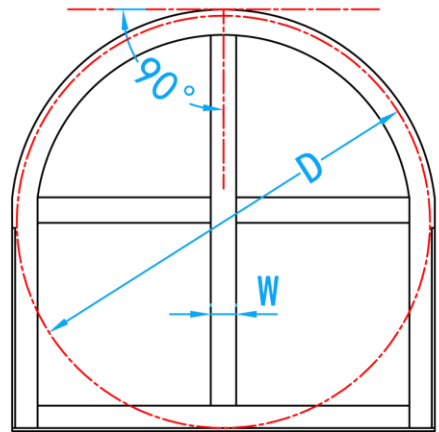


WATER HEATER BRACKETS



SIDE VIEW



TOP VIEW

COMPONENT PARTS

MATERIAL	Galvanized Iron
----------	-----------------

DIMENSIONS

SKU	WATER HEATERS CAPACITY (USG)	D (mm)	W (mm)	THICKNESS (mm)	H (mm)	WEIGHT (kg)	PCS/BUNDLE
WHBR6	6	415	25	3	280	2.200	5
WHBR15	15	470	25	3	320	2.600	5
WHBR20	20	530	30	3	330	3.700	5
WHBR30	30	570	40	3	380	7.500	5